

AT5209

300mA Low Dropout Voltage Linear Regulators



Immense Advance Tech.

FEATURES

- V_{IN} Range : 2.0V to 6.0V
- Low Dropout Voltage : 0.22V (Typ)
($V_{OUT}=3.3V, I_{OUT}=150mA$)
- Output Current : 300mA
- Excellent Line Regulation : 0.01% / V(Typ)
- Output Voltage Accuracy : $\pm 2.0\%$
- Low Supply Current : 70 μA (Typ)
- Standby Mode : 0.01 μA (Typ)
- Over Current Protection
- Fixed Output Voltage : 1.0V~4.8V
- Ceramic capacitors are recommend to be used with this
IC : $C_{IN}=C_{OUT}=1\mu F$

DESCRIPTION

The AT5209 Series are CMOS-based voltage regulator ICs with high output voltage accuracy, low supply current, low ON-resistance. Each of these ICs consists of a voltage reference unit, an error amplifier, resistor-net for voltage setting and a current limit circuit.

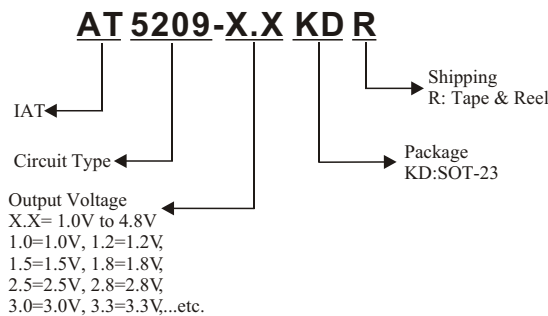
These ICs perform with low dropout voltage. The line transient response and load transient response of the AT5209 Series are excellent, thus these ICs are very suitable for the power supply for hand-held communication equipment.

AT5209 is available in the SOT-23 package.

APPLICATION

- Power source for portable communication equipment.
- Power source for battery-powered equipment.

ORDERING INFORMATION



PIN CONFIGURATIONS (TOP VIEW)

