

# AT5208

## 150mA Low Dropout Voltage Linear Regulators



Immense Advance Tech.

### FEATURES

- $V_{IN}$  Range : 2.0V to 6.0V
- Low Dropout Voltage : 0.22V (Typ)  
( $V_{OUT}=3.3V, I_{OUT}=150mA$ )
- Output Current : 150mA
- Excellent Line Regulation : 0.01% / V(Typ)
- Output Voltage Accuracy :  $\pm 2.0\%$
- Low Supply Current : 70  $\mu A$  (Typ)
- Standby Mode : 0.01  $\mu A$  (Typ)
- Over Current Protection
- Fixed Output Voltage : 1.0V~4.8V
- Ceramic capacitors are recommend to be used with this IC :  $C_{IN}=C_{OUT}=1\mu F$
- Built-In Over Shoot Protection Circuit
- Ultra Fast Transient Response

### DESCRIPTION

The AT5208 Series are CMOS-based voltage regulator ICs with high output voltage accuracy, low supply current, low ON-resistance. Each of these ICs consists of a voltage reference unit, an error amplifier, resistor-net for voltage setting, a current limit circuit, and a chipenable circuit.

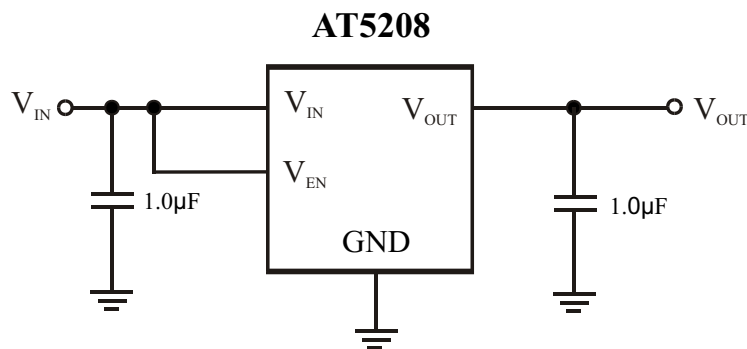
These ICs perform with low dropout voltage and a chip enable function. The line transient response and load transient response of the AT5208 Series are excellent, thus these ICs are very suitable for the power supply for hand-held communication equipment.

AT5208 is available in the SOT-25 package and the SOT-353 package.

### APPLICATION

- Power source for portable communication equipment.
- Power source for battery-powered equipment.

### TYPICAL APPLICATION CIRCUITS



### BLOCK DIAGRAM

