

AT117

Standard Voltage Detectors ($V_{DF}=1.6V$ to $6.0V$)



Immense Advance Tech.

FEATURES

- Highly Accurate: $\pm 2\%$
- Low Power Consumption: TYP $0.7\mu A$ [$V_{IN}=1.5V$]
- Detect Voltage Range: 1.6V to 6.0V in 0.1V increments
- Operating Voltage Range: 0.7 to 10.0V
- Detect Voltage Temperature Characteristic:
 - TYP ± 100 ppm/ $^{\circ}C$
- Output Configuration: CMOS or N channel open drain
- Package Type : SOT-23 (150mW) mini-mold

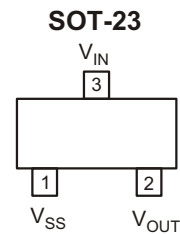
APPLICATION

- Microprocessor reset circuitry
- Memory battery back-up circuits
- Power-on reset circuits
- Power failure detection
- System battery life and charge voltage monitors

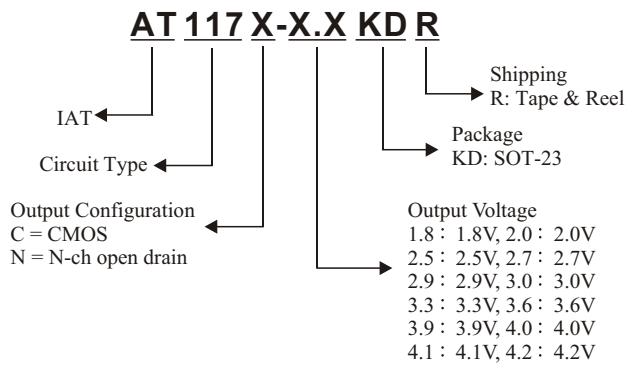
DESCRIPTION

The AT117 series are highly precise, low power consumption voltage detectors, manufactured using CMOS and laser trimming technologies. Detect voltage is extremely accurate with minimal temperature drift. Both CMOS and N-channel open drain output configurations are available.

PIN CONFIGURATIONS (TOP VIEW)



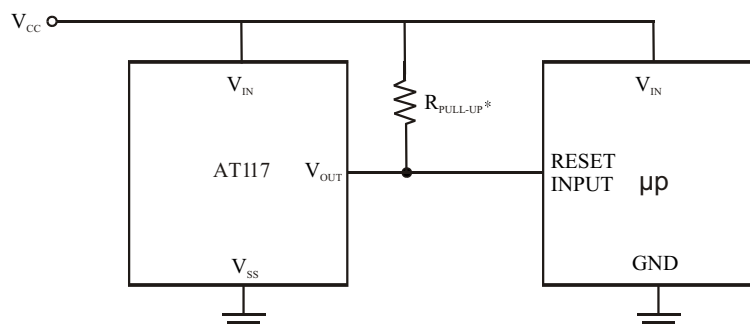
ORDERING INFORMATION



PIN DESCRIPTIONS

Pin Number	Pin Name	Pin Description
Pin 1	V_{SS}	Ground.
Pin 2	V_{OUT}	Output.
Pin 3	V_{IN}	Supply Voltage Input.

TYPICAL APPLICATION CIRCUITS



* AT117N only

