

AT116

Standard Voltage Detectors ($V_{DF}=1.6V$ to $6.0V$)



Immense Advance Tech.

FEATURES

- Highly Accurate: $\pm 2\%$
- Low Power Consumption: TYP $0.7\mu A$ [$V_{IN}=1.5V$]
- Detect Voltage Range: $1.6V$ to $6.0V$ in $0.1V$ increments
- Operating Voltage Range: 0.7 to $10.0V$
- Detect Voltage Temperature Characteristic:
 - TYP ± 100 ppm/ $^{\circ}C$
- Output Configuration: CMOS or N channel open drain

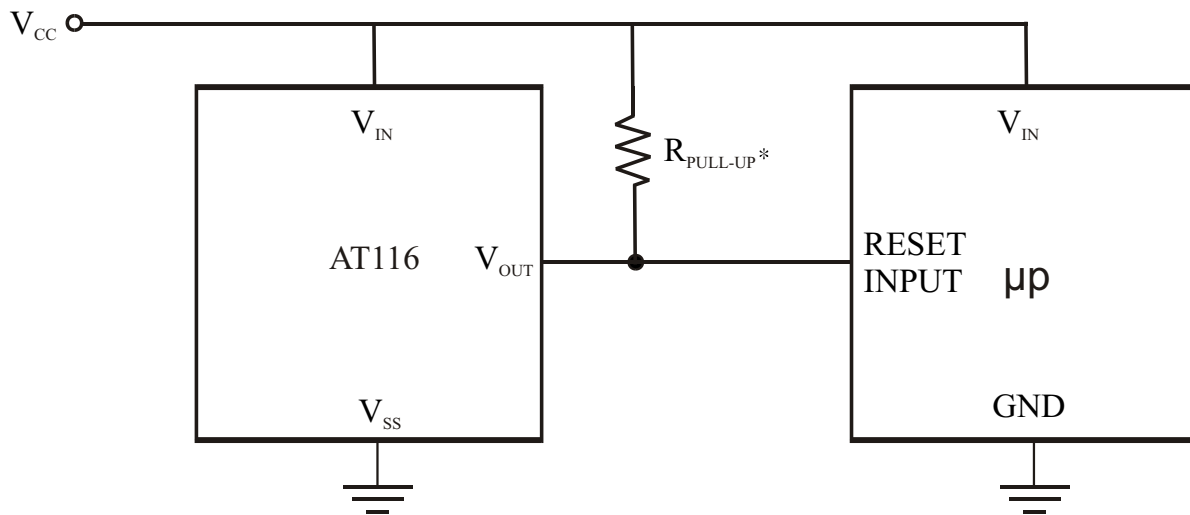
DESCRIPTION

The AT116 series are highly precise, low power consumption voltage detectors, manufactured using CMOS and laser trimming technologies. Detect voltage is extremely accurate with minimal temperature drift. Both CMOS and N-channel open drain output configurations are available.

APPLICATION

- Microprocessor reset circuitry
- Memory battery back-up circuits
- Power-on reset circuits
- Power failure detection
- System battery life and charge voltage monitors

TYPICAL APPLICATION CIRCUITS



* AT116N only

